

Standard Installtion

Standard installtion template for LEFT hand doors mounted on door on pull side.

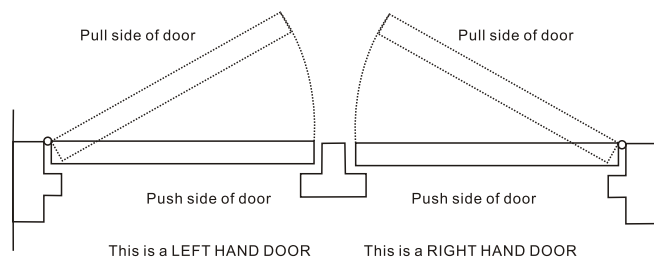
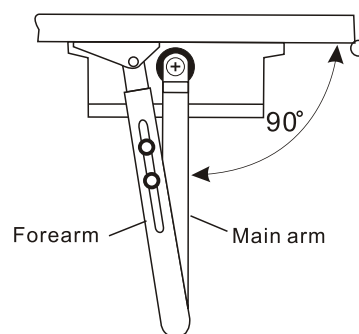
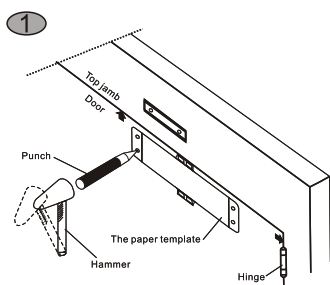


CHART FOR HAND OF DOOR

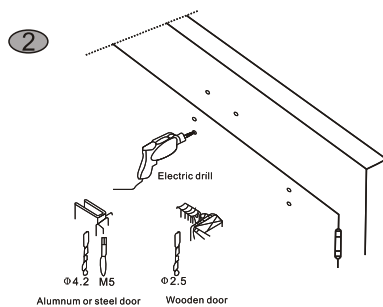


LEFT hand door

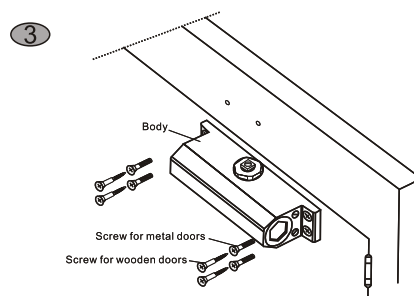
Installation



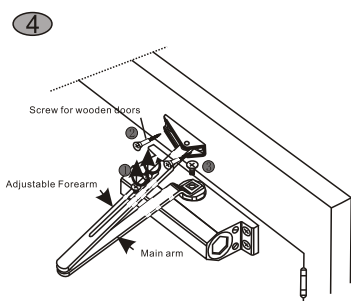
Put the papertemplate tight with the door and door frame,(the side line that the arrowhead aims at the door)Mark on the door and door frame.



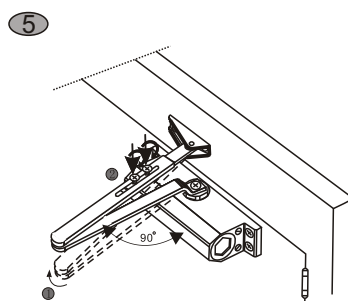
DrillΦ4.2hole against the mark, Tap M5 screw hole. (For wood door is not required)



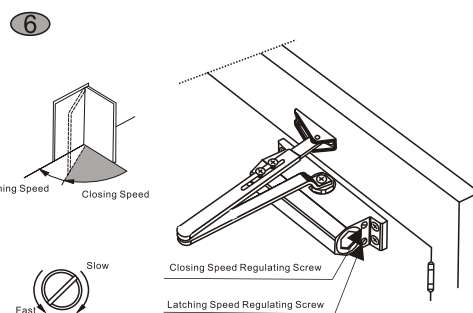
Fix the body on the door with 4screw



1.Lo se the scerwof adjustable forearm.
2.Fix the adjustable forearm on the door frame with two screw.
3.Fix the mainarm on the body with one screw.



1.Turn the main arm and make the main arm with the body as 90°.
2.Tight the screw of adjustable forearm.



Adjust door closing speed and latching speed: the user can according to their needed adjust the screw closing and latching speed individually.