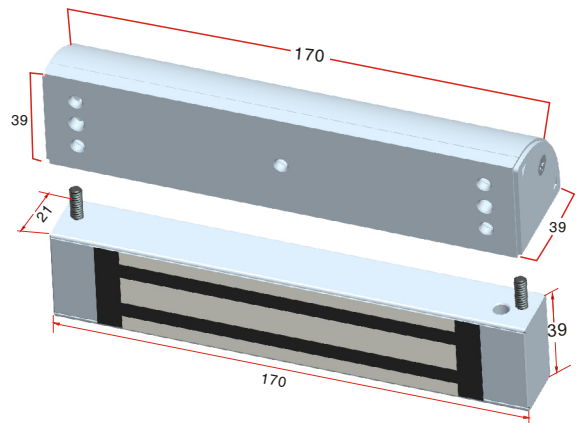
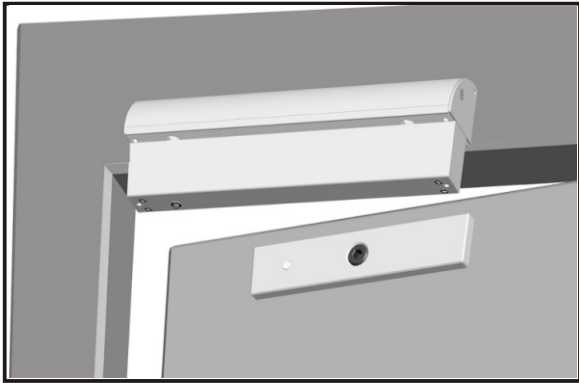
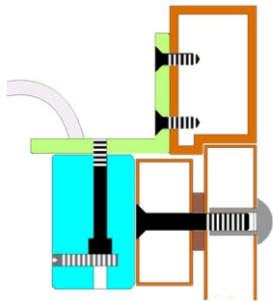


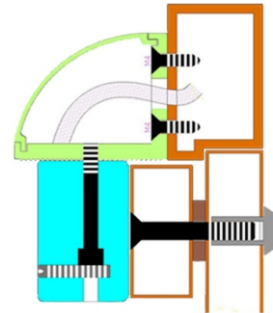
Installation



Installation steps



The power cable is exposed outside when installing the old type L bracket , it is not elegant and easy to be destroyed.



The power cable can be concealed inside the new type LC bracket , it is elegant and the cable can be protected